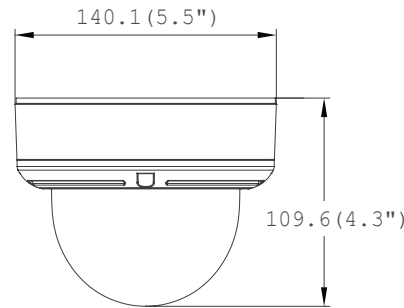




Dimensions (unit : mm)



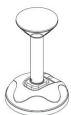
Summary

Our Star-Light Series offers super low light imaging for any application. Along with Smart Digital Noise Reduction, our Star-Light technology offers a slow shutter feature that increases the length of time the shutter remains open to collect additional ambient light illuminating typically dark environments.

Features

- 1/3" CCD
- 620 TV Lines [B&W], 600 TV Lines [Color]
- 9~22mm Varifocal Auto Iris Lens
- Electronic Day and Night
- Smart DNR (Digital Noise Reduction)
- DRC (Dynamic Range Compressor)
- Star-Light (Super Low Light Technology)
- HME (Highlight Masking Exposure)
- Programmable Privacy Zones (8) & Motion Detection
- AGC / BLC / AWB
- Easy Icon Driven OSD Menu with Built-in Joystick
- IP66 Certified (Weatherproof)
- Auto Sensing 12VDC/24VAC with Line Lock
- RS-485 Built-in
- Secondary Video-BNC Output

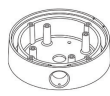
Accessories (Optional)



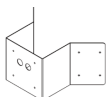
DWC-V1CM
Pendant Mount for V1&V3 Housing



DWC-V1WM
Wall Mount for V1&V3 Housing



DWC-V1JUNC
Junction Box for V1&V3 Housing



DWC-V1CNM
Corner Mount for V1&V3 Housing



DWC-V1CMAD
Pendant Mount Adapter for Extension

Specifications

VIDEO	
Image Sensor	1/3" CCD
Total Pixels	811 (H) x 508 (V), 411K Pixels
Effective Pixels	768 (H) x 494 (V)
Scanning System	525 Lines, 2 : 1 Interlace
Frequency	15.734KHz (H), 59.95Hz (V)
Synchronization	Internal / Line Lock
Horizontal Resolution	620 TV Lines [B&W], 600 TV Lines [Color]
Minimum Illumination	F1.2 (30IRE): 0.14 Lux [Color] F1.2 (30IRE): 0.03 Lux [B&W]
S/N Ratio	52dB (AGC off)
Video Output	CVBS: 1.0Vp-p / 75 Ω
LENS	
Focal Length	9-22mm
Lens Type	DC Auto Iris
OPERATIONAL	
Back Light	OFF / BLC / HME / DRC
Star-Light	OFF / X2-X1024
3D Digital Noise Reduction	OFF / LOW / MID / HIGH / SMART
White Balance	AWC / ATW / MANUAL / PUSHLOCK
Mirror	OFF / MIRROR
Sharpness	0-30
Gamma	MANUAL / 0.45 / 0.60 / 1.0
Side Light Compensation	OFF / ON
Night Up	OFF / ON
Motion Detection	OFF / ON (4 Areas)
Privacy Zones	OFF / ON (8 Programmable Zones)
Dead Pixel Cancellation	OFF / AUTO
Language	ENGLISH / MANDARIN / CANTONESE / JAPANESE / GERMAN / FRENCH / ITALIAN / RUSSIAN / SPANISH / DUTCH
ENVIRONMENTAL	
Operating Temperature	-10°C ~ 55°C (14°F ~ 131°F)
Operating Humidity	Less than 90% (Non-Condensing)
Storage Temperature	-20°C ~ 70°C (-4°F ~ 158°F)
IP Rating	IP66 (Protects against dust and high pressure water.)
ELECTRICAL	
Power Requirement	Dual (12VDC & 24VAC)
Power Consumption	12VDC: 1.96W, 163mA 24VAC: 2.2W, 91.7mA
MECHANICAL	
Housing Material	Aluminum
Dimensions	140.1 X 109.6 mm (5.5 X 4.3 in)
Weight	1.9 lbs

*Specification is subject to change without prior notice.