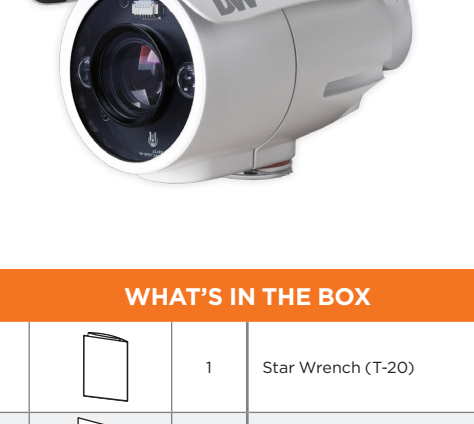


DW® Universal HD over Coax® LPR camera



DWC-LPR650UW



UNIVERSAL HD COAX

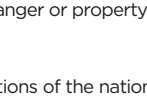


WHAT'S IN THE BOX

Quick Setup Guide		1	Star Wrench (T-20)		1
Mounting Template		1	DC Plug Cable		1
Screws and Plastic Anchors - 4pcs		1 set			

NOTE: Download all your support materials and tools in one place

- Go to: <http://www.digital-watchdog.com/resources>
- Search your product by entering the part number in the 'Search by Product' search bar. Results for applicable part numbers will populate automatically based on the part number you enter.
- Click 'Search'. All supported materials, including manuals and quick start guides (QSGs) will appear in the results.



Attention: This document is intended to serve as a quick reference for the initial set-up. It is recommended that the user read the entire instruction manual for complete and proper installation and usage.

SAFETY AND WARNING INFORMATION

Read through this Installation Guide carefully before installing the product. Keep the Installation Guide for future reference. See the user manual for more information on the proper installation, use and care of the product. These instructions are intended to ensure that users can use the product correctly to avoid danger or property loss. Warnings: Serious injury or death may occur if any of the warnings are neglected. Cautions: Injury or equipment damage may occur if any of the cautions are neglected.

WARNING

- In the use of the product, you must be strict compliance with the electrical safety regulations of the nation and region. When the product is mounted on a wall or ceiling, the device shall be firmly fixed.
- Be sure to use only the standard adapter specified in the specification sheet. Using any other adapter could cause fire, electrical shock, or damage to the product.
- Make sure the power supply voltage is correct before using the camera.
- Incorrectly connecting the power supply or replacing the battery may cause an explosion, fire, electric shock, or damage to the product.
- Do not connect multiple cameras to a single adapter. Exceeding the capacity may cause excessive heat generation or fire.
- Securely plug the power cord into the power source. An insecure connection may cause a fire.
- When installing the camera, fasten it securely and firmly. A falling camera may cause personal injury.
- Do not install in a location subject to elevated temperature, low temperature, or high humidity. Doing so may cause fire or electric shock.
- Do not place conductive objects (e.g. screwdrivers, coins, metal items, etc.) or containers filled with water on top of the camera. Doing so may cause personal injury due to fire, electric shock, or falling objects.
- Do not install in humid, dusty, or sooty locations. Doing so may cause fire or electric shock.
- Do not install near any heat sources such as radiators, heat registers, or other products (including amplifiers) that produce heat.
- Keep out of direct sunlight and heat radiation sources. It may cause a fire.
- If any unusual smells or smoke come from the unit, stop using the product at once. Immediately disconnect the power source and contact the service center. Continued use in such a condition may cause fire or electric shock.
- If this product does not operate normally, contact the nearest service center. Never disassemble or change this product in any way.
- When cleaning the product, do not spray water directly onto parts of the product. Doing so may cause fire or electric shock.

CAUTION

- Use proper safety gear when installing and wiring the product.
- Do not drop objects on the product or apply strong shock to it. Keep away from a location subject to excessive vibration or magnetic interference.
- Do not use this product near water.
- The product shall not be exposed to dripping or splashing and no objects filled with liquids, such as vases, shall be placed on the product.
- Avoid aiming the camera directly towards extremely bright objects such as the sun, as this may damage the image sensor.
- The Main plug is used as a disconnect device and shall stay readily operable at any time.
- Remove the power adapter from the outlet when there is lightning. Neglecting to do so may cause fire or damage to the product.
- Do not block any ventilation openings. Install following the manufacturer's instructions.
- A polarized or grounding-type plug is recommended for this product. A polarized plug has two blades with one wider than the other. A grounding-type plug has two blades and a third grounding prong. If the provided plug does not fit into your outlet, consult an electrician for replacement.
- Protect the power cord from being walked on or pinched particularly at plugs, convenience receptacles, and the point where they exit from the product.
- If any laser equipment is used near the product, make sure the surface of the sensor is not exposed to the laser beam as that may damage the sensor module.
- If you want to move the already installed product, be sure to turn off the power and then move or reinstall it.
- Proper configuration of all passwords and other security settings is the responsibility of the installer and/or end-user.
- If cleaning is necessary, please use a clean cloth to wipe it gently. If the device will not be used for a long time, please cover the lens cap to protect the device from dirt.
- Do not touch the camera's lens or sensor module with fingers. If cleaning is necessary, please use a clean cloth to wipe it gently. If the device will not be used for a long time, please cover the lens cap to protect the device from dirt.
- Use only attachments/accessories specified by the manufacturer.
- Always use hardware (e.g. screws, anchors, bolts, locking nuts, etc.) compatible with the mounting surface and of sufficient length and construction to ensure a secure mount.
- Use only with cart, stand, tripod, bracket, or table specified by the manufacturer, or sold with the product.
- Unplug this product when a cart is used. Use caution when moving the cart/product combination to avoid injury from tip-over.
- Refer all servicing to qualified service personnel. Servicing is needed when the product has been damaged in any way, such as power supply cord or plug is damaged, liquid has been spilled or objects have fallen into the product, the product has been exposed to rain or moisture, does not operate normally, or has been dropped.

STEP 1 - PREPARING TO MOUNT THE CAMERA

- This product is intended to be supplied by a UL Listed Power Supply Unit marked "Class 2" or "LPS" or "PS2" and rated 12 Vdc, 0.51A min. or 24 Vac, 50/60Hz 0.33A min.
- Using the mounting template sheet or the camera itself, mark and drill the necessary holes in the wall or ceiling.

STEP 2 - CABLING THE CAMERA

Pass the wires through the mount bracket and make all necessary connections.

Power requirements	Power consumption
DC12V/AC24V dual voltage	DC12V (LED on): 6.12W AC24V (LED on): 5.7W

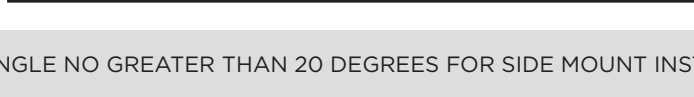
STEP 3 - LPR INSTALLATION GUIDELINES

- The LPR camera should be mounted at a height between 3-8 ft., and a distance no greater than 80 ft. from the target area. Exceeding the distance recommendations may result in a poor quality image of moving license plates.
- Ensure that the camera angle is no more than 20° degrees (horizontally) and 30° degrees (vertically) from the target area.
- It is recommended to position a license plate or vehicle to reflect the IR light of the camera while adjusting the camera's focus on the target area.
- After mounting the camera, you can press the Zoom Lens Button (located on the underside of the camera) to sequentially zoom and auto-focus the camera. The longer the Zoom Lens button (T-W jog button) is pressed down, the further the lens module will zoom.
- Please note that the cameras ship with the focus in Manual mode. To change the camera's focus to Auto, enter the camera's web GUI and use the +/- zoom buttons on the left of the camera image.

THE CAPTURED IMAGE SHOULD BE FILLED WITH THE FULL WIDTH OF THE VEHICLES



THE CAMERA SHOULD BE MOUNTED AT AN ANGLE NO GREATER THAN 30 DEGREES

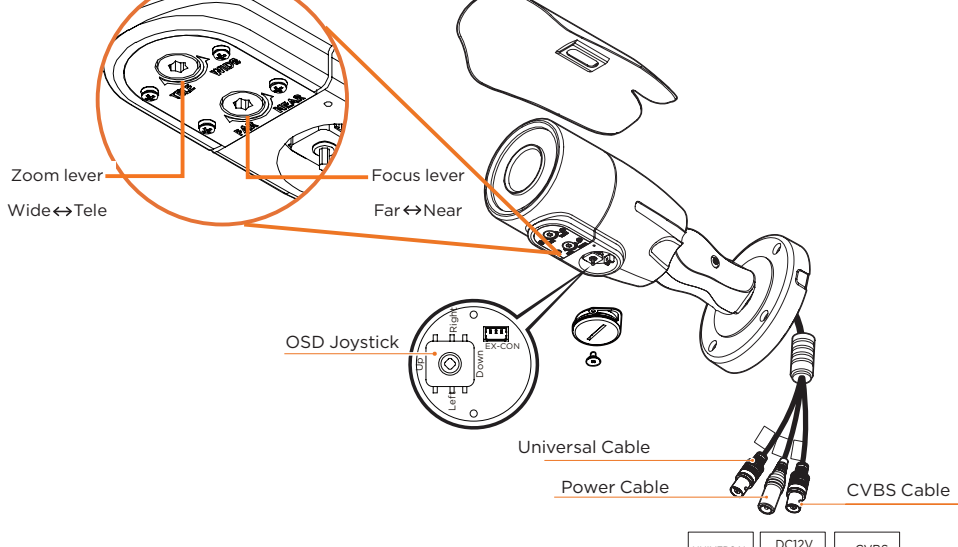


CAMERA ANGLE NO GREATER THAN 20 DEGREES FOR SIDE MOUNT INSTALLATIONS



STEP 4 - CHANGING THE CAMERA SIGNAL

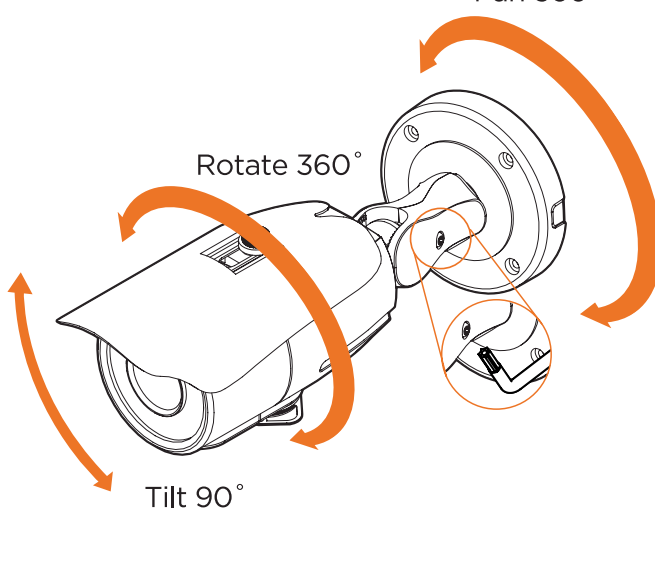
- Remove the lens cover to access the joystick and OSD control.
- Use the OSD Switch to switch the camera's signal.
 - Press the joystick to the left for 5 seconds to switch to HD-TV/I mode.
 - Press the joystick to the right for 5 seconds to switch to HD-Analog mode.
 - Press the joystick up for 5 seconds to switch to CVBS mode.
 - Press the joystick down for 5 seconds to switch to HD- CVI mode.



NOTE: The CVBS cable and HD main output can work simultaneously. The HD main output is set to HD-Analog signal by default but can also be changed to CVBS. In that case, HD main output and CVBS cable will transmit the same signal.

STEP 5 - INSTALLING THE CAMERA

- Once all cables have been connected, use the screws included with the camera to properly mount and secure the camera to the mounting surface.
- To adjust the camera's tilt, loosen the screws at the base of the camera's bracket. The camera's max angles are



- To adjust the camera's focus and zoom:
 - Remove the sun-shield and front case from the camera.
 - Unlock the zoom or focus screws by rotating them counterclockwise. Use the wrench included with the camera as a lever to manually zoom and focus the camera.
 - Use the wrench to adjust the zoom and focus screws at the base of the camera module to achieve a clear image.
 - Tighten the screws and close the front case by rotating it clockwise.
- Remove the protective film from the lens' cover. Softly wipe the dome/lens cover with lens tissue or a microfiber cloth with ethanol to remove any dust or smudges left from the installation process.

